

# The Venue Series



## Waist-High Turnstiles

Interior & Exterior Application

Handicapped Accessible Gate - VE500-ADA

The Venue Series is made for years of reliable service in high traffic/volume applications like stadiums, convention centers, landmarks and military bases. The cabinets are constructed of heavy 14-gauge, 300 series satin stainless steel and feature our Enduro Control Head (with auto indexing and shock suppression technology). Thousands are currently in use at leading pro-sports venues, amusement parks and high-profile attractions worldwide. The Venue is the ticket to managing large crowds with reliability and speed.



**VE500-ADA**  
ADA gate can be motorized.

### Security Across the Globe

*For half a century, Sentronic International has been the trusted name in pedestrian control equipment. From our headquarters in Ohio, the company ships access solutions worldwide – whether your project requires full-height turnstiles, waist-high units, or matching ADA accessible gates we can provide the best available. Crafted in Aluminum or Stainless, our diverse product line offers state-of-the-art technology – from card readers to biometric scanning capability.*



Made in Ohio...  
In-Service World-Wide



**SENTRONIC® International**

P.O. Box 815 • Brunswick, OH 44212-0815 • Ph: 330.225.3029 • Fax: 330.225.3009 • Toll-Free Ph: 888.225.3029  
E-mail: [sales@sentronicinternational.com](mailto:sales@sentronicinternational.com) • [www.sentronicinternational.com](http://www.sentronicinternational.com)

# The Venue Series



## Waist-High Turnstiles

Interior & Exterior Application

Handicapped Accessible Gate - VE500-ADA

### Applications:

This ADA compliant unit is the matched partner to the FastPass waist-high turnstiles, which are made for years of reliable service in high traffic/volume environments like stadiums, convention centers, amusement parks, landmarks and military bases.

### Product Features:

#### Materials and Finishes:

Units are finished in your choice of:

- Our signature 304 stainless steel/ No. 4 satin finish

#### Design & Construction:

- Designed for secure & reliable operation with aesthetics in mind
- Cabinet inner and outer shells and cover are constructed of (14 gauge) 304 stainless steel/ No. 4 satin finish
- Arms constructed of 1 5/16" (33mm) diameter, (12 gauge) stainless
- Hub 4 1/2" (114mm) o.d. also made from stainless
- Minimal exposed hardware

#### Measures:

Height: 37" (940mm)

Width: 27 1/4" (692mm)

Depth: 10 3/4" (273mm)

#### Controller &

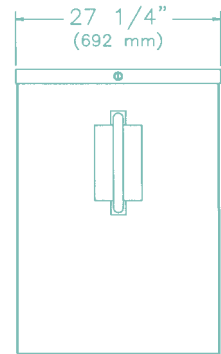
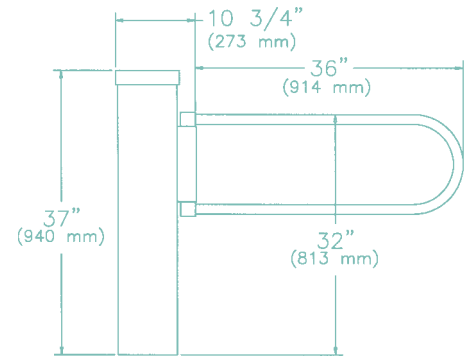
#### Access Control Operation:

- Self-centering control head with adjustable hydraulic shock suppression
- Hardened tool steel locking bars, cam and roller assemblies
- Permanently lubricated bearings
- All units are available in clockwise, counter-clockwise or bi-directional passage
- Keylock Feature - Control direction of travel manually by key (to lock /unlock), or may be used to override electronic controls

#### Options:

- Electronic lock modules include heavy-duty 24 vdc pull-type industrial solenoids:
- Available in each separate direction: fail-safe (open on power failure) or fail-lock (lock on power failure) modes
- Interfacing to card readers, computer attendance systems, coin and token acceptors, push buttons and wireless remote controls
- Electronic 6 digit resettable counter with LCD display and ten-year lithium battery
- Additional options available on request

*Our matching FastPass Turnstiles (model VE500 portable, coin, ticket, or scanner models) are available for the Venue Series.*



#### ENDURO™ Electronic Control Head

**EA** Controlled Traffic flow both directions

**EB** Controlled Traffic flow one direction, uncontrolled opposite direction

**EC** Controlled Traffic flow one direction, no traffic flow opposite direction

#### ENDURO™ Manual Control Head

**MD** Uncontrolled traffic flow one direction, no traffic flow opposite direction

**MF** Uncontrolled traffic flow both directions

**MG** Key controlled each direction

#### Electrical Specifications:

Command module input 110-240 VAC (2 amp-1 amp) 50-60 Hz; control voltage 24 VDC. All electrical components are UL recognized and CSA certified.

#### Standards and Codes:

Austenitic stainless steel:  
ASTM A240, A249, A276

Hot rolled steel:  
AISI C-1020, AISI C-1018

Hot dipped galvanizing:  
ASTM A-143, ASTM A-153-80

Stainless steel fasteners:  
ASTM A-320

American Welding Society (AWS)  
Standard D 1.1

#### Warranty:

Units are warranted against defects in materials and workmanship for a period of one year from date of delivery. See warranty information for specific details.



**SENTRONIC® International**

P.O. Box 815 • Brunswick, OH 44212-0815 • Ph: 330.225.3029 • Fax: 330.225.3009 • Toll-Free Ph: 888.225.3029

E-mail: sales@sentronicinternational.com • [www.sentronicinternational.com](http://www.sentronicinternational.com)