

The Tiffany P60 Series

Full-Height Turnstiles
Interior & Exterior Application

P60

The **Tiffany P60** unit is a three-vane turnstile with a weather resistant finish and automatic indent Feather-Touch action – that includes shock suppressor and non-entrapment features. It uses 6005-T6 anodized aluminum extrusions and GE's transparent Lexan™ polycarbonate cage panels. The P60 offers a canopy in addition to Lexan arms for a more modern open look.



Security Across the Globe

For half a century, Sentronic International has been the trusted name in pedestrian control equipment. From our headquarters in Ohio, the company ships access solutions worldwide – whether your project requires full-height turnstiles, waist-high units, or matching ADA accessible gates we can provide the best available. Crafted in Aluminum or Stainless, our diverse product line offers state-of-the-art technology – from card readers to biometric scanning capability.

 Made in Ohio...
In-Service World-Wide

P60 Series

The P60 is equipped with GE Lexan™ polycarbonate arms for a modern, un-caged appearance.

Arms: .75" x 21" x 28"

Exterior Height: 94" to 102" available

Interior Height: 84"

Width: 72"

Pedestrian Clearance: 30"



Available as a Metal-Detect Door where higher security needs exist. Metal detection and bullet-resistant panels are available in varying performance specs based on your application.



SENTRONIC® International

P.O. Box 815 • Brunswick, OH 44212-0815 • Ph: 330.225.3029 • Fax: 330.225.3009 • Toll-Free Ph: 888.225.3029
E-mail: sales@sentronicinternational.com • www.sentronicinternational.com

The Tiffany P60 Series

Full-Height Turnstiles
Interior & Exterior Application

P60

Applications:

Featuring a canopy and Lexan™ arms for a more modern, open look, the P60 turnstile is a three vane turnstile with weather resistant finish and automatic indent Feather-Touch™ action (that includes shock suppressor and non-entrapment features).

Product Features:

Model P60:

Uses polycarbonate arms for a modern, un-caged appearance, 94" to 102" available exterior height, 84" interior height, 72" deep; 75" width, .75" x 21" x 28" arms.

Installation:

Detail drawings, installation and maintenance instructions shall be furnished by the manufacturer.

Materials:

P60 uses 6005-T6 anodized aluminum extrusions and GE's transparent Lexan™ polycarbonate cage panels, fluted design support with 4 mounting columns for retaining barrier arms, spacers and panels by means of concealed roll-spring pins. Center column has three equally spaced recesses for retaining arm assemblies. The P60 is equipped with GE Lexan™ polycarbonate arms.

Control Mechanism:

Advanced modular design is equipped with auto-indexing, adjustable shock suppression, permanently lubricated bearings, hardened alloy cams and locking bars.

Finish:

Standard anodized finishes are clear, dark bronze and black.

Pedestrian Flow Movements:

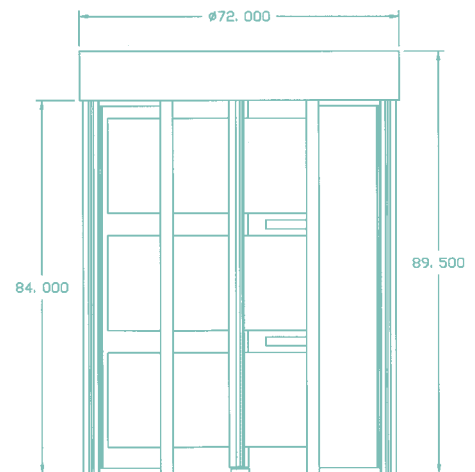
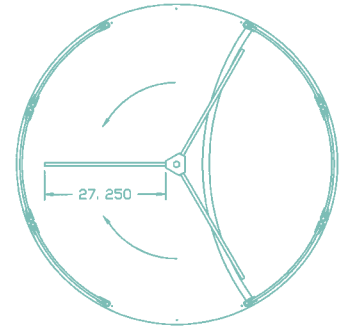
Standards: free-flow, no flow, and controlled flow each separate direction.

Control Options-Lock:

Includes 24 VDC power supply, solenoid, Lock assembly, logic controller with card reader interface.

Pedestrian Flow Movements:

Card readers, fingerprint scanners, push buttons, token acceptors, consult factory for other options.



Electrical Specifications:

Command module input 110-240 VAC (2 amp-1 amp) 50-60 Hz; control voltage 24 VDC. All electrical components are UL recognized and CSA certified.

Warranty:

Units are warranted against defects in materials and workmanship for a period of one year from date of delivery. See warranty information for specific details.



SENTRONIC® International

P.O. Box 815 • Brunswick, OH 44212-0815 • Ph: 330.225.3029 • Fax: 330.225.3009 • Toll-Free Ph: 888.225.3029
E-mail: sales@sentronicinternational.com • www.sentronicinternational.com