

Security Full-Height Series

Manual Passage Gate
Interior & Exterior Application

SFH36-ADA



Manual and electronic locking access gates and custom filler barriers can be fabricated to match any of our Security Full-Height Series turnstiles. Standard width for passage gates is 36" and customized widths are available – just give us a call.

Security Across the Globe

For half a century, Sentronic International has been the trusted name in pedestrian control equipment. From our headquarters in Ohio, the company ships access solutions worldwide – whether your project requires full-height turnstiles, waist-high units, or matching ADA accessible gates we can provide the best available. Crafted in Aluminum or Stainless, our diverse product line offers state-of-the-art technology – from card readers to biometric scanning capability.



Made in Ohio...
In-Service World-Wide

SFH36-ADA
Manual Passage Gate
304 Stainless,
No. 4 Satin finish (shown)

*Also available in
hot-dipped galvanized or
powder coat finishes.*



SENTRONIC® International

P.O. Box 815 • Brunswick, OH 44212-0815 • Ph: 330.225.3029 • Fax: 330.225.3009 • Toll-Free Ph: 888.225.3029
E-mail: sales@sentronicinternational.com • www.sentronicinternational.com

Security Full-Height Series



Manual Passage Gate
Interior & Exterior Application

SFH36-ADA

Applications:

Ideal for controlling orderly flow of foot traffic in both indoor and outdoor settings (matching gate to our Security Full-Height Series Single and Tandem Turnstiles)

Product Features:

Materials and Finishes available in your choice of:

- Hot dipped galvanized carbon steel
- Polyester enamel on carbon steel (standard color is black/ other colors available upon request)
- Our signature 304 Stainless steel/ No. 4 satin finish

Design & Construction:

- Designed for secure operation with aesthetics in mind
- Featuring fully welded exterior components
- Minimal exposed hardware
- Heavy gauge materials meeting ASTM standards

Measures:

SFH36-ADA

Size of opening (pedestrian clearance)

SFH36-ADA 36" (914mm)

Frames and Door Jam

2" x 2" (51mm x 51mm) 11 gauge box tubing

Exterior Height

91" (2331mm)

Interior Height

88-1/2" (2248mm)

Interior Tubing Sizes

1-1/2" Diameter 14 gauge (2248mm)

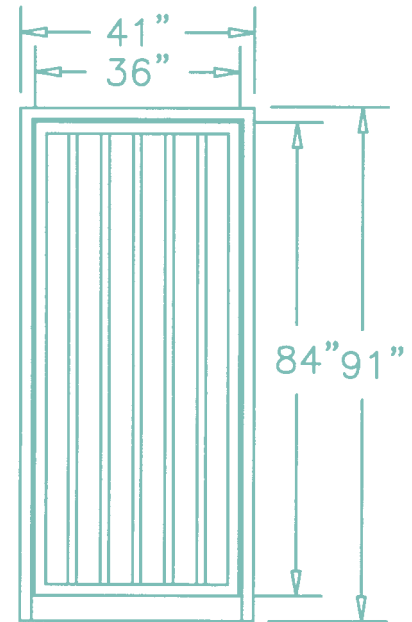
1-3/4" Diameter 14 gauge (44mm)

1-3/4" Diameter 11 gauge (44mm)

Features:

- Swing Gate is equipped with outdoor rated electronic strike lock and automatic door closer
- Keylock - Control direction of travel manually by key (to lock or unlock), or may be used to override electronic controls.

Matching Full-Height Turnstiles Available in Single (SFH27-S, SFH30-S, SFH39-S, SFH48-S) and Tandem (SFH27-T, SFH30-T) Designs.



HS336-ADA

Electrical Specifications:

Command module input 110-240 VAC (2 amp-1 amp) 50-60 Hz; control voltage 24 VDC. All electrical components are UL recognized and CSA certified.

Standards and Codes:

Austenitic stainless steel:
ASTM A240, A249, A276

Hot rolled steel:
AISI C-1020, AISI C-1018

Hot dipped galvanizing:
ASTM A-143, ASTM A-153-80

Stainless steel fasteners:
ASTM A-320

American Welding Society (AWS)
Standard D 1.1

Warranty:

Units are warranted against defects in materials and workmanship for a period of one year from date of delivery. See warranty information for specific details.



SENTRONIC® International

P.O. Box 815 • Brunswick, OH 44212-0815 • Ph: 330.225.3029 • Fax: 330.225.3009 • Toll-Free Ph: 888.225.3029
E-mail: sales@sentronicinternational.com • www.sentronicinternational.com