

The Pass-Thru Series

Waist-High Optical Turnstiles
Bolt Down - Interior & Exterior Application

PT100 • PT100-S • PT100-C • PT100-T

The Pass-Thru™ Series is ideal in demanding situations where you want a more open, stylish look. It is made for years of reliable service in high traffic/volume applications be they indoors or outside. The cabinets are constructed of heavy 14-gauge, 300 series satin stainless steel and feature our Enduro Control Head (with auto indexing and shock suppression technology).



PT100



PT100-C (coin)



PT100-T (ticket box)

PT100-S (scanner)

Not shown

Security Across the Globe

For half a century, Sentronic International has been the trusted name in pedestrian control equipment. From our headquarters in Ohio, the company ships access solutions worldwide - whether your project requires full-height turnstiles, waist-high units, or matching ADA accessible gates we can provide the best available. Crafted in Aluminum or Stainless, our diverse product line offers state-of-the-art technology - from card readers to biometric scanning capability.



Made in Ohio...
In-Service World-Wide



SENTRONIC® International

P.O. Box 815 • Brunswick, OH 44212-0815 • Ph: 330.225.3029 • Fax: 330.225.3009 • Toll-Free Ph: 888.225.3029
E-mail: sales@sentronicinternational.com • www.sentronicinternational.com

The Pass-Thru Series

Waist-High Optical Turnstiles
Bolt Down - Interior & Exterior Application

PT100 • PT100-S • PT100-C • PT100-T

Applications:

This series is made for years of reliable service in either indoor or outdoor high traffic / volume environments where you seek a more open, stylish look.

Product Features:

Materials and Finishes:

Units are finished in your choice of:

- Our signature 304 stainless steel/ No. 4 satin finish

Design & Construction:

- Designed for secure & reliable operation with aesthetics in mind
- Cabinet inner and outer shells and cover are constructed of (14 gauge) 304 stainless steel/ No. 4 satin finish
- Arms constructed of 1-5/16" (33mm) diameter, (12 gauge) stainless
- Hub 4-1/2" (114mm) o.d. also made from stainless
- Minimal exposed hardware

Measures:

Height: 38" (965 mm)

Width: 48.25" (1226mm)

Depth: 10.25" (260mm)

Controller & Access Control Operation:

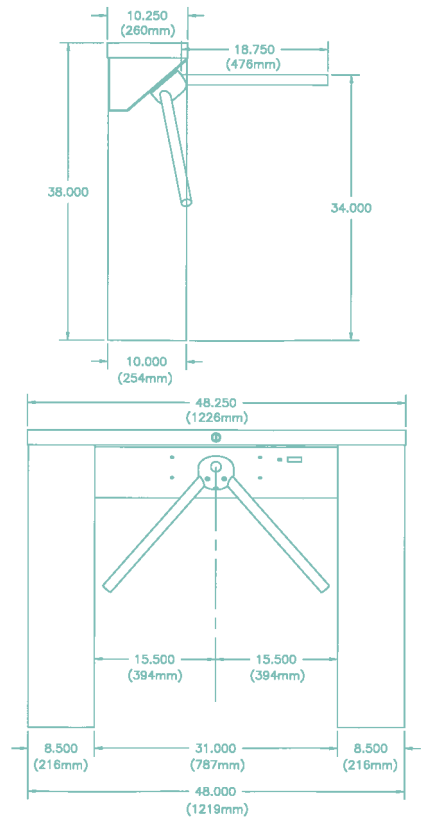
- Self-centering control head with adjustable hydraulic shock suppression
- Hardened tool steel locking bars, cam and roller assemblies
- Permanently lubricated bearings
- All units are available in clockwise, counter-clockwise or bi-directional passage
- Key-lock Feature - Control direction of travel manually by key (to lock /unlock), or may be used to override electronic controls

Options:

- Electronic lock modules include heavy-duty 24 vdc pull-type industrial solenoids:
- Available in each separate direction: fail-safe (open on power failure) or fail-lock (lock on power failure) modes
- Interfacing to card readers, computer attendance systems, coin and token acceptors, push buttons and wireless remote controls
- Electronic 6 digit re-settable counter with LCD display and ten-year lithium battery
- Additional options available on request

Our matching ADA gate (model FP500-ADA with optional motorization) is available for the PassThru Series.

The Pass-Thru is also available as an Optical model (PTO100).



Electrical Specifications:

Command module input 110-240 VAC (2 amp-1 amp) 50-60 Hz; control voltage 24 VDC. All electrical components are UL recognized and CSA certified.

Standards and Codes:

Austenitic stainless steel:
ASTM A240, A249, A276
Hot rolled steel:
AISI C-1020, AISI C-1018
Hot dipped galvanizing:
ASTM A-143, ASTM A-153-80
Stainless steel fasteners:
ASTM A-320
American Welding Society (AWS)
Standard D 1.1

Warranty:

Units are warranted against defects in materials and workmanship for a period of one year from date of delivery. See warranty information for specific details.

ENDURO™ Electronic Control Head

EA Controlled Traffic flow both directions

EB Controlled Traffic flow one direction, uncontrolled opposite direction

EC Controlled Traffic flow one direction, no traffic flow opposite direction

ENDURO™ Manual Control Head

MD Uncontrolled traffic flow one direction, no traffic flow opposite direction

MF Uncontrolled traffic flow both directions

MG Key controlled each direction



SENTRONIC® International

P.O. Box 815 • Brunswick, OH 44212-0815 • Ph: 330.225.3029 • Fax: 330.225.3009 • Toll-Free Ph: 888.225.3029

E-mail: sales@sentronicinternational.com • www.sentronicinternational.com