

# The Venue Series

Waist-High Turnstiles  
Bolt Down - Interior & Exterior Application

VE500 • VE500-S • VE500-C • VE500-T

The Venue Series is made for years of reliable service in high traffic/volume applications like stadiums, convention centers, landmarks and military bases. The cabinets are constructed of heavy 14-gauge, 300 series satin stainless steel and feature our Enduro Control Head (with auto indexing and shock suppression technology). Thousands are currently in use at leading pro-sports venues, amusement parks and high-profile attractions worldwide. The Venue is the ticket to managing large crowds with reliability and speed.



VE500



VE500-C (coin)




VE500-T (ticket box)

VE500-S (scanner)  
Not shown

## Security Across the Globe

*For half a century, Sentronic International has been the trusted name in pedestrian control equipment. From our headquarters in Ohio, the company ships access solutions worldwide - whether your project requires full-height turnstiles, waist-high units, or matching ADA accessible gates we can provide the best available. Crafted in Aluminum or Stainless, our diverse product line offers state-of-the-art technology - from card readers to biometric scanning capability.*

 Made in Ohio...  
In-Service World-Wide



**SENTRONIC® International**

P.O. Box 815 • Brunswick, OH 44212-0815 • Ph: 330.225.3029 • Fax: 330.225.3009 • Toll-Free Ph: 888.225.3029  
E-mail: sales@sentronicinternational.com • [www.sentronicinternational.com](http://www.sentronicinternational.com)

# The Venue Series

## Waist-High Turnstiles Bolt Down - Interior & Exterior Application

VE500 • VE500-S • VE500-C • VE500-T

### Applications:

*This series is made for years of reliable service in high traffic/volume environments like stadiums, convention centers, amusement parks, landmarks and military bases.*

### Product Features:

#### Materials and Finishes:

Units are finished in your choice of:

- Our signature 304 stainless steel/ No. 4 satin finish

#### Design & Construction:

- Designed for secure & reliable operation with aesthetics in mind
- Cabinet inner and outer shells and cover are constructed of (14 gauge) 304 stainless steel/ No. 4 satin finish
- Arms constructed of 1 5/16" (33mm) diameter, (12 gauge) stainless
- Hub 4 1/2" (114mm) o.d. also made from stainless
- Minimal exposed hardware

#### Measures:

Height: 37" (940mm)

Width: 33 1/4" (692mm)

Depth: 8 5/8" (225mm)

### Controller &

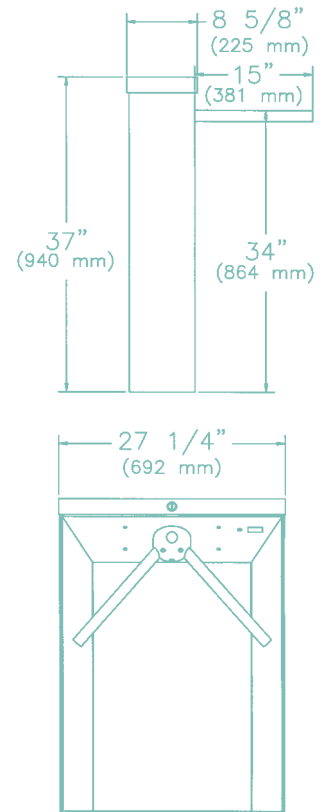
#### Access Control Operation:

- Self-centering control head with adjustable hydraulic shock suppression
- Hardened tool steel locking bars, cam and roller assemblies
- Permanently lubricated bearings
- All units are available in clockwise, counter-clockwise or bi-directional passage
- Keylock Feature - Control direction of travel manually by key (to lock /unlock), or may be used to override electronic controls

#### Options:

- Electronic lock modules include heavy-duty 24 vdc pull-type industrial solenoids:
- Available in each separate direction: fail-safe (open on power failure) or fail-lock (lock on power failure) modes
- Interfacing to card readers, computer attendance systems, coin and token acceptors, push buttons and wireless remote controls
- Electronic 6 digit resettable counter with LCD display and ten-year lithium battery
- Additional options available on request

*Our matching ADA gate (model VE500-ADA with optional motorization) is available for the Venue Series.*



### Electrical Specifications:

Command module input 110-240 VAC (2 amp-1 amp) 50-60 Hz; control voltage 24 VDC. All electrical components are UL recognized and CSA certified.

### Standards and Codes:

Austenitic stainless steel:  
ASTM A240, A249, A276  
Hot rolled steel:  
AISI C-1020, AISI C-1018  
Hot dipped galvanizing:  
ASTM A-143, ASTM A-153-80  
Stainless steel fasteners:  
ASTM A-320  
American Welding Society (AWS)  
Standard D 1.1

### Warranty:

Units are warranted against defects in materials and workmanship for a period of one year from date of delivery. See warranty information for specific details.

### ENDURO™ Electronic Control Head

**EA** Controlled Traffic flow both directions

**EB** Controlled Traffic flow one direction, uncontrolled opposite direction

**EC** Controlled Traffic flow one direction, no traffic flow opposite direction

### ENDURO™ Manual Control Head

**MD** Uncontrolled traffic flow one direction, no traffic flow opposite direction

**MF** Uncontrolled traffic flow both directions

**MG** Key controlled each direction



## SENTRONIC® International

P.O. Box 815 • Brunswick, OH 44212-0815 • Ph: 330.225.3029 • Fax: 330.225.3009 • Toll-Free Ph: 888.225.3029

E-mail: sales@sentronicinternational.com • [www.sentronicinternational.com](http://www.sentronicinternational.com)